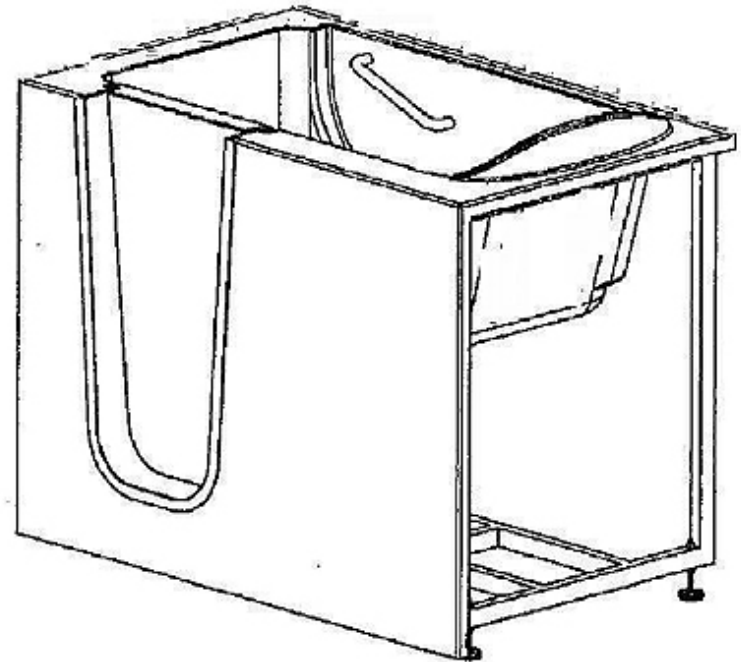
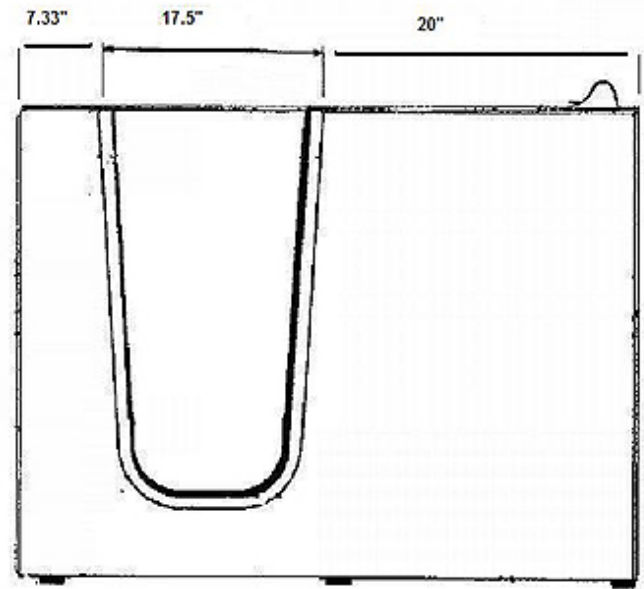


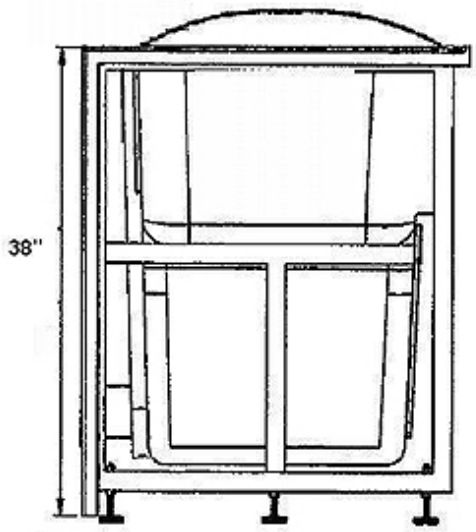
TOP VIEW



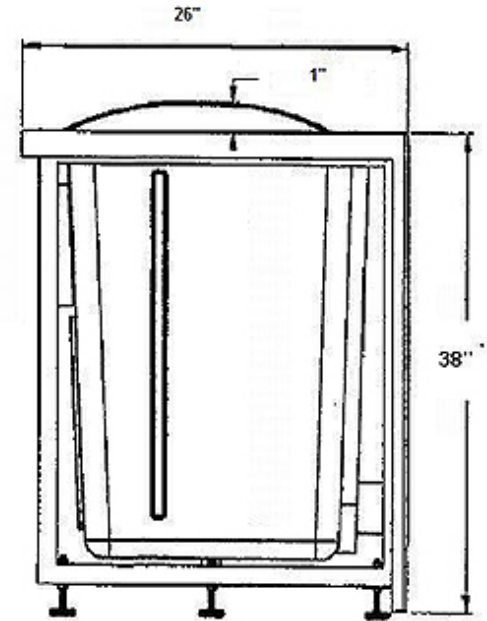
ISOMETRIC VIEW



FRONT VIEW



RIGHT VIEW



LEFT VIEW